

UNIFORM STATUTORY DECLARATION FORM FOR THE REGISTRATION OF FITTING DESIGNS

NEW BRUNSWICK
NUNAVUT

NOVA SCOTIA
YUKON

PRINCE EDWARD ISLAND
NORTHWEST TERRITORIES

NEWFOUNDLAND AND LABRADOR

MANUFACTURERS NAME: <u>Swagelok Company</u>	
MANUFACTURERS ADDRESS: <u>29500 Solon Road, Solon, Ohio 44139 USA</u>	
PLANT LOCATIONS: <u>Headquarters: 29500 Solon Road, Solon, Ohio 44139 USA (See Attachment A)</u>	
<p align="center">CATEGORY OF FITTINGS TO BE REGISTERED. CIRCLE ONE CATEGORY ONLY</p> <p>A Pipe fittings, including couplings, tees, elbows, Ys, plugs, unions, pipe caps, or reducers B Flanges; all flanges <input checked="" type="radio"/> C Valves; all line valves D Expansion joints, flexible connections, and hose assemblies: all types E Strainers, filters, separators, and steam traps F Measuring devices, including pressure gauges, level gauges, sight glasses, levels, or pressure transmitters G Certified capacity-rated pressure relief devices acceptable as primary over pressure protection on boilers, pressure vessels, piping and fusible plugs H Pressure retaining components that do not fall into one of the above categories N Nuclear components: Class 1 <input type="checkbox"/> Class 2 <input type="checkbox"/> Class 3 <input type="checkbox"/>, (Meeting AECB or ASME requirements)</p>	<p align="center">TITLE OF THE STANDARD OF CONSTRUCTION</p> <p>ASME B31.1 and ASME B31.3 (for unlisted components)</p>
<p>SHOW MANUFACTURERS NAME, TRADEMARK, OR LOGO AS IT WILL APPEAR ON THE PRODUCT</p> <p align="center" style="font-size: 2em;">Swagelok</p>	<p align="center">TYPE OF CONSTRUCTION</p> <p>FORGED <input type="checkbox"/> WELDED <input type="checkbox"/> WROUGHT <input checked="" type="checkbox"/> CAST <input type="checkbox"/> OTHER <input type="checkbox"/> DESCRIBE OTHER:</p>
<p>LIST OF SUPPORTING DOCUMENTATION AND IDENTIFICATION OF THE ACTUAL ITEMS TO BE REGISTERED:</p> <p>ISO 9001:2008 Quality System Certificate, Support Documents, Attachment B, Catalog Information, Attachment A</p>	

DECLARATION:

I, David H. Peace (see note 3) employed by Swagelok Company and being the person having full authority and responsibility for the quality of the end product do solemnly declare that the information contained in this form is true and to the best of my knowledge represents the product for which registration is sought. The dimensions, materials of construction, pressure temperature ratings, and identification markings are in accordance with the herein named standards. I further declare that the manufacture of these fittings is regulated by a Quality Control Program which extends to each plant where fabrication occurs in whole or in part and has been verified by BSI as being suitable for that purpose and I make this solemn declaration conscientiously believing it to be true, and knowing that it is of the same force and effect as if made under oath.

Signature of Declarer: [Signature]

Declared before me at Solon, Ohio

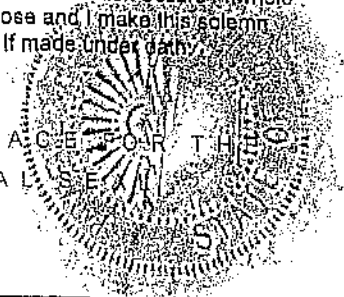
This 08th day of March AD 2016

Commissioner of Oaths or Notary Public: (sgn) [Signature]

USE THIS SPACE FOR THE OFFICIAL SEAL

Jamie L Ristau
Resident Portage County
Notary Public, State of Ohio
My Commission Expires: 03/08/2018

(Affix Official seal to the right)



This space for Regulatory Authority use
This registration must be revalidated after ten (10) years from the date of acceptance.

CRN: OC18622.5

FID#: 1214

Notes:

- All fittings shall be registered in the name of the Manufacturer.
- Each category shall be supported with two Statutory Declaration forms and one copy of supporting documentation.
- The declaration shall be made by the person having full authority and responsibility for the quality of the end product.
- Quality control programs shall be resubmitted for validation at a maximum interval of five (5) years.

Attachment B. Scope of Registration for Swagelok VB03 and VB04 Series Process Interface Valves (Category C)

Product Scope

This document represents the scope of Swagelok VB03 and VB04 Series Process Interface Valves covered by this submission for CRN approval. Swagelok VB03 and VB04 Series Process Interface Valves were designed and evaluated in accordance with ASME B31.1 and ASME B31.3 as unlisted components.

Summary Tables

Table 1: VB03 Scope							
Body Material/ Specification	Configuration	ASME Class	Flange Size	Bore Size	Minimum Temperature	Maximum Allowable Working Pressure (psig)	
						At 70°F	At 400°F
F316/F316L ASTM A182	Ball/Needle/Ball (Block/Bleed/Block):	150	1 in. (DN 25)	1 in. (DN 25)	-58°F	2160	1540
	Full Bore	300	1-1/2 in. (DN 40)				
	Reduced Bore	600	2 in. (DN 50)				
		900					

- 1) All seat and seal combinations
- 2) All flange types: RF smooth, RF serrated, and RTJ
- 3) Outlet connection = same as process
- 4) Bleed connection: 1/2 in. female NPT

Table 2: VB04 Scope								
Body Material/ Specification	Configuration	ASME Class	Process Connection Size	Process Connection	Outlet Connection	Minimum Temperature	Maximum Allowable Working Pressure (psig)	
							At 70°F	At 400°F
F316/F316L ASTM A182	Ball/Needle/Ball (Block/Bleed/Block):	150	1/2 in. (DN 15)	Flange – RF Smooth	1/2 in. female NPT	-58°F	3600	2570
	3/8 in. (9.5 mm) bore	300 / 600	3/4 in. (DN 20)	Flange – RF Serrated				
	1/2 in. (14 mm) bore	900 / 1500	1 in. (DN 25)	Flange – RTJ	Flange			
	3/4 in. (20 mm) bore		1-1/2 in. (DN 40)	NPT Female (1/2 DN 15 only)				

- 1) All seat and seal combinations
- 2) Bleed connection: 1/2 in. female NPT

Product Drawings/Configurations

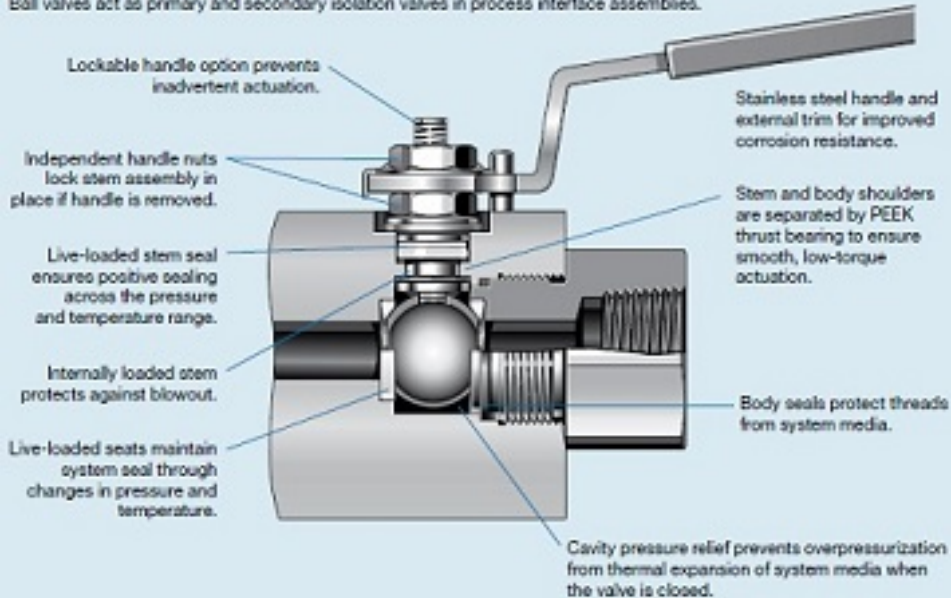
Process Interface Valves



Process Instrumentation and Piping

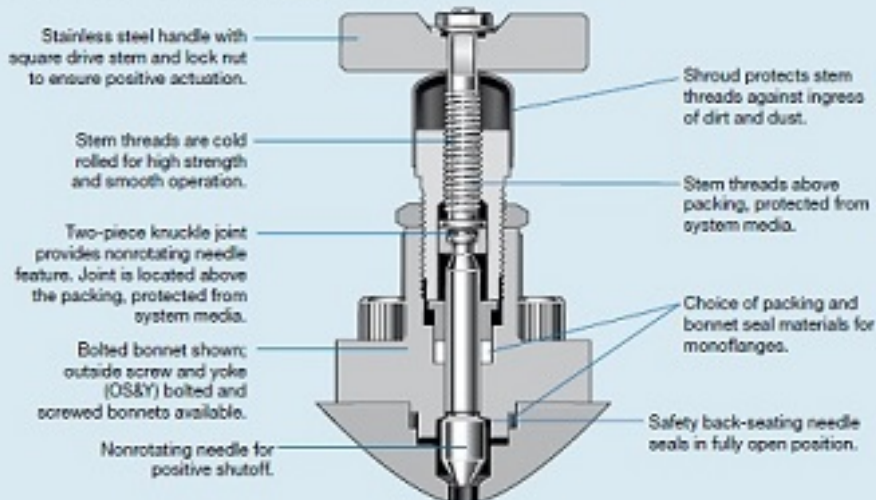
Ball Valve Module Advantages

Ball valves act as primary and secondary isolation valves in process interface assemblies.



Needle Valve Module Advantages

Needle valves act as primary and secondary isolation valves in process monoflanges and as vent valves in monoflange and process interface assemblies.



Typical Product Characteristics:

The list below are examples of product options which do not affect the pressure-temperature ratings shown in the Summary Table. All of the following options are within the scope of this registration:

- Lockable Lever Handles (for block valves)
- Non-lockable Lever Handles (for block valves)
- Antitamper bleed valve
- Bar handle (for bleed valve)
- Injection and Sampling probes
- Integral Check valves
- Sour gas service

Quality System

The Swagelok Company quality system complies with the requirements of BS EN ISO 9001:2008. The Swagelok Company maintains British Standards Institution Certificate of Registration Number FM 01729, which applies to all locations listed on the Certificate.

Special Ordering Instructions

None

References

The product catalog does not represent the full scope of registration, but rather details some of the most common options.

- Swagelok Process Interface Valves MS-02-340, R9