

**UNIFORM STATUTORY DECLARATION FORM FOR THE REGISTRATION OF FITTING DESIGNS**

NEW BRUNSWICK  
NUNAVUT

NOVA SCOTIA  
YUKON

PRINCE EDWARD ISLAND  
NORTHWEST TERRITORIES

NEWFOUNDLAND AND LABRADOR

MANUFACTURERS NAME: <u>Swagelok Company</u>	
MANUFACTURERS ADDRESS: <u>29500 Solon Road, Solon, Ohio 44139 USA</u>	
PLANT LOCATIONS: <u>Headquarters: 29500 Solon Road, Solon, Ohio 44139 USA (See Attachment A)</u>	
<p align="center"><b>CATEGORY OF FITTINGS TO BE REGISTERED. CIRCLE ONE CATEGORY ONLY</b></p> <p>A Pipe fittings, including couplings, tees, elbows, Ys, plugs, unions, pipe caps, or reducers          B Flanges: all flanges  <input checked="" type="checkbox"/> C Valves: all line valves          D Expansion joints, flexible connections, and hose assemblies: all types          E Strainers, filters, separators, and steam traps          F Measuring devices, including pressure gauges, level gauges, sight glasses, levels, or pressure transmitters          G Certified capacity-rated pressure relief devices acceptable as primary over pressure protection on boilers, pressure vessels, piping and fusible plugs          H Pressure retaining components that do not fall into one of the above categories          N Nuclear components: Class 1 <input type="checkbox"/> Class 2 <input type="checkbox"/> Class 3 <input type="checkbox"/> (Meeting AECB or ASME requirements)</p>	<p align="center"><b>TITLE OF THE STANDARD OF CONSTRUCTION</b></p> <p>ASME B31.1, ASME B31.3 for unlisted components where applicable</p>
<p align="center"><b>SHOW MANUFACTURERS NAME, TRADEMARK, OR LOGO AS IT WILL APPEAR ON THE PRODUCT</b></p> <p align="center" style="font-size: 2em;"><i>Swagelok</i></p>	<p align="center"><b>TYPE OF CONSTRUCTION</b></p> <p>FORGED <input type="checkbox"/> WELDED <input type="checkbox"/> WROUGHT <input type="checkbox"/>          CAST <input type="checkbox"/> OTHER <input type="checkbox"/>          DESCRIBE OTHER:</p>
<p align="center"><b>LIST OF SUPPORTING DOCUMENTATION AND IDENTIFICATION OF THE ACTUAL ITEMS TO BE REGISTERED:</b></p> <p>Attachment A, Attachment B, Support Documents, Catalog Information, ISO 9001:2008 Quality System Certificate          Items To Be Registered: Swagelok General Utility Service (GU Series) Needle Valves</p>	

**DECLARATION:**

I David H. Peace (see note 3) employed by Swagelok Company and being the person having full authority and responsibility for the quality of the end product do solemnly declare that the information contained in this form is true and to the best of my knowledge represents the product for which registration is sought. The dimensions, materials of construction, pressure temperature ratings, and identification markings are in accordance with the herein named standards; I further declare that the manufacture of these fittings is regulated by a Quality Control Program which extends to each plant where fabrication occurs in whole or in part and has been verified by The British Standards Institution as being suitable for that purpose and I make this solemn declaration conscientiously believing it to be true, and knowing that it is of the same force and effect as if made under oath.

Signature of Declarer: [Signature]

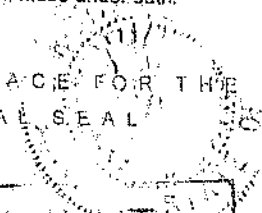
Declared before me at Solon, Ohio

This 14th day of January AD 2016

Commissioner of Oaths or Notary Public: (sign) [Signature]

(Affix Official seal to the right)

USE THIS SPACE FOR THE  
 Janis L. Ristau  
 Resident Portago County  
 Notary Public, State of Ohio  
 My Commission Expires: 03/03/2018



<p align="center">This space for Regulatory Authority Use          This registration must be revalidated after ten (10) years from the date of acceptance.</p> <p>CRN: <u>0C18297.5</u></p> <p>FID#: <u>1214</u></p> <p>Notes:          1. All fittings shall be registered in the name of the Manufacturer.          2. Each category shall be supported with two Statutory Declaration forms and one copy of supporting documentation.          3. The declaration shall be made by the person having full authority and responsibility for the quality of the end product.          4. Quality control programs shall be resubmitted for validation at a maximum interval of five (5) years.</p>	<p align="center"><b>NUNAVUT</b></p> <p align="center">Press. Services Act</p> <p align="center"><b>REGISTERED</b></p> <p>CRN <u>0C18297.5 N</u></p> <p>Date <u>April 08, 2016</u></p> <p>Signed <u>[Signature]</u>          Chief</p> <p align="center"><b>Territorial Registration Fee</b></p>
---	--

## Attachment B. Scope of Registration for Swagelok General Utility Service Needle Valve (Category C)

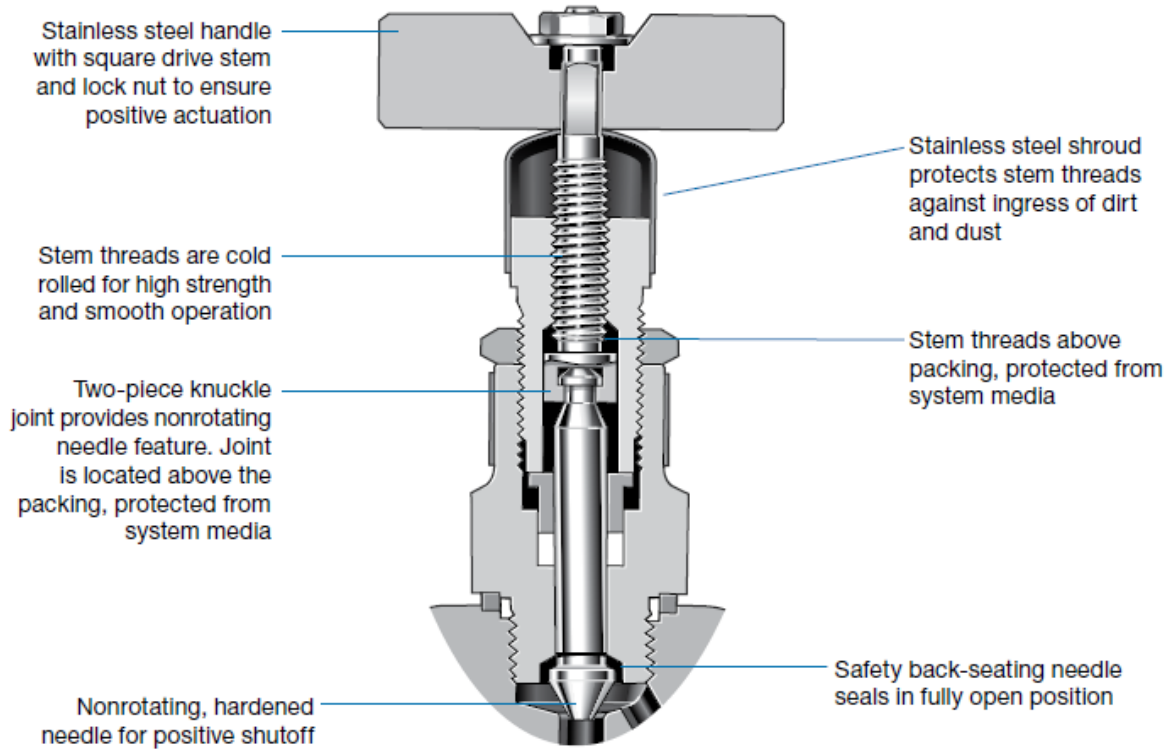
### Product Scope

This document represents the scope of Swagelok General Utility Service Needle Valve covered by this submission for CRN approval. The Swagelok GU Series Needle Valves were designed and evaluated in accordance with ASME B31.1 and ASME B31.3 as unlisted components.

### Summary Table

Product Description or Series	Main Pressure Bearing Components	Material / Specification	End Connections and End Connection Sizes	Minimum Temperature	Maximum Allowable Working Pressure (psig)		Design Code of Construction
					At 70°F	At 650°F	
4GU	Body, Bonnet	316 SS / ASTM A479	Female NPT: ¼", 3/8", ½" Male NPT ¼", 3/8", ½" Tube Socket Weld: ¼", 3/8", ½", 6mm, 8mm, 10mm, 12mm	-20°F	6000	3660	ASME B31.1 ASME B31.3
8GU	Body, Bonnet	316 SS / ASTM A479	Female NPT: 1/2", ¾", 1" Male NPT: 1/2", ¾", 1" Tube Socket Weld: 1/2", ¾", 1"; 12mm, 14mm, 16mm	-20°F	6000	3660	ASME B31.1 ASME B31.3
16GU PS-48306	Body, Bonnet	316 SS / ASTM A479	Female NPT: ¾", 1" Male NPT: ¾", 1" Tube Socket Weld: ¾", 1"; 14mm, 16mm, 18mm, 25mm	-20°F	4500	3660	ASME B31.1 ASME B31.3

**Product Drawings/Configurations**



**Typical Product Characteristics:**

Some of the product options listed below affect the pressure-temperature ratings shown in the Summary Table, but in all cases the ratings are less than those shown in the Summary Table. All of the following options are within the scope of this registration:

PTFE packing material  
Graphite packing material

Some of the product options listed below do not affect the pressure-temperature ratings shown in the Summary Table. All of the following options are within the scope of this registration:

Straight or Angle-Pattern Bodies  
Male or Female End Connections  
High-Temperature Seals  
Anti-tamper Handles  
Round Lockable Handles  
Cleaning Options

**Quality System**

The Swagelok Company quality system complies with the requirements of BS EN ISO 9001:2008. The Swagelok Company maintains British Standards Institution Certificate of Registration Number FM 01729, which applies to all locations listed on the Certificate. The Swagelok GU Series Needle Valves are manufactured at a Swagelok Company locations in Solon, Ohio.

**Special Ordering Instructions**

SS-16GU must be ordered with Process Sheet PS-48306 to ensure that the correct rating is marked on the valve.

**References**

The product catalog does not represent the full scope of registration, but rather details some of the most common options.

- General Utility Service Needle Valves MS-02-312